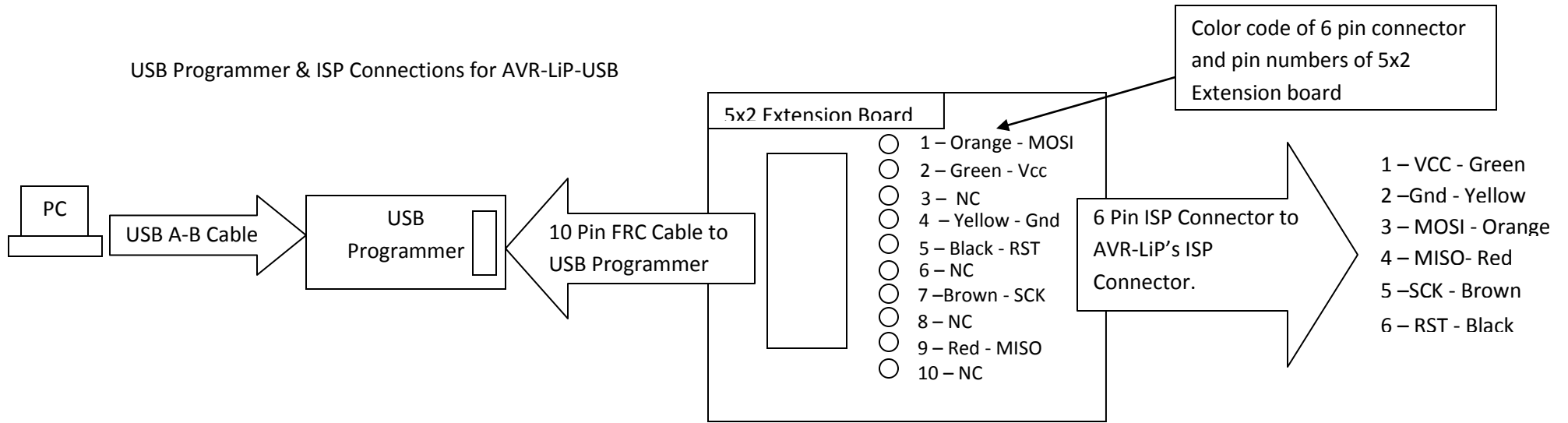


USB Programmer & ISP Connections for AVR-LiP-USB



Power Connections of AVR-LiP Main Board

